



RH LIGHTING SOLUTIONS
 3155 WEST 33RD STREET
 CLEVELAND, OH 44109
 PHONE: 877-905-4448
 FAX: 877-428-3080
 WWW.RHLIGHTINGSOLUTIONS.COM

RF SERIES ROUND BACK FLOODS

50 - 175 WATTS
 PSMH | MH | HPS



JOB NAME:

TYPE:

QUANTITY:

CATALOG No:

NOTES:



RFWT



RFSP

APPLICATION: THE RF SERIES COMPACT ROUND BACK FLOODLIGHTS ARE DESIGNED SPECIFICALLY FOR MEDIUM BASE PULSE START METAL HALIDE OR HIGH PRESSURE SODIUM LAMPS AND ARE AVAILABLE WITH EITHER A WIDE THROW (WT) OR SPOT (SP) REFLECTOR.

LAMPS: CFM ACCOMODATES 50W TO 150W HPS AND 50W TO 175W PULSE START MH OR STANDARD MH LAMPS.

BALLAST: NPF REACTOR, HPF REACTOR, HIGH POWER FACTOR HX TYPE OR CWA CORE AND COIL WITH A MINIMUM STARTING TEMPERATURE OF -20°F.

SOCKET: UNITS FEATURE A MEDIUM E26 BASE HEAVY-DUTY GLAZED PORCELAIN LAMPHOLDER, PRE-WIRED, WITH AN ENCLOSED SCREW SHELL AND SPRING-LOADED CENTER CONTACT, 4KV PULSE RATED.

HOUSING: HIGH-STRENGTH, DIE-CAST ALUMINUM BODY WITH DIE-CAST HINGED FACE FRAME. MOUNTING KNUCKLE OR SLIPFITTER IS OF DIE-CAST ALUMINUM.

FINISH: THE HOUSING IS FINISHED ARCHITECTURAL DARK BRONZE IN A SUPERIOR, BAKED-ON, CORROSION RESISTANT POWDER COATING, ALLOWING THE FIXTURE TO WITHSTAND EXTREME WEATHER CHANGES WITHOUT CRACKING OR PEELING.

LENS: CLEAR, FLAT HEAT-RESISTANT GLASS SEALED INTO A HINGED DIE-CAST ALUMINUM DOOR FRAME.

REFLECTOR: CHOOSE EITHER WIDE THROW (WT) NEMA 6 X 6 OR SPOT (SP) NEMA 4 X 4 LIGHT DISTRIBUTION PATTERN. REFLECTORS FORMED FROM ONE PIECE BRIGHTENED, ANODIZED ALUMINUM.

MOUNTING: UNITS ARE PROVIDED WITH EITHER AN ADJUSTABLE 1/2-14 NPT THREADED KNUCKLE OR ADJUSTABLE SLIPFITTER. OPTIONAL POST TOP ADAPTER FOR KNUCKLE AND GROUND STAKE ARE AVAILABLE.

LISTING: CSA-US AND ETL LISTED FOR WET LOCATIONS, GROUND MOUNTING AND UPWARD AIMING.



FIXTURE NUMBER	WATTAGE	MOUNTING OPTION	ACCESSORIES (4)	VOLTAGE	
RFWT (WIDE THROW)	50HS	50W HIGH PRESSURE SODIUM	GSRF GLARE SHIELD, ALUMINUM WITH BRONZE FINISH (CAN BE REVERSE MOUNTED AS A BACK CUTOFF.) WGRF WIRE GUARD, STEEL. PSRF CLEAR POLYCARBONATE VANDAL RESISTANT GUARD.	120	120 VOLT (2)
	70HS	70W HIGH PRESSURE SODIUM		208	208 VOLT (2)
	100HS	100W HIGH PRESSURE SODIUM		240	240 VOLT (2)
	150HS(1)	150W HIGH PRESSURE SODIUM		277	277 VOLT (2)
RFSP (NARROW SPOT)	50PSMH	50W PULSE START METAL HALIDE	FLPTF POST TOP FITTER ADAPTER SLIPS UP TO 3" O.D. WITH THREE (3) 1/2-14 NPT COIN PLUGS. (REQUIRES KNUCKLE MOUNT.) FLSTK GROUND STAKE WITH BUILT-IN WIRING COMPARTMENT (REQUIRES KNUCKLE MOUNT.)	347	347 VOLT (2,3)
	70PSMH	70W PULSE START METAL HALIDE		480	480 VOLT (2)
	100PSMH	100W PULSE START METAL HALIDE		MT	120/208/240/277 VOLT
	150PSMH	150W PULSE START METAL HALIDE			MUTLI TAP
	175PSMH	175W PULSE START METAL HALIDE			480
175MH	175W METAL HALIDE	CMT	120/277/347 VOLT-(3) CANDIAN MUTLI TAP		

ORDER EXAMPLE - SELECT ITEMS FROM ABOVE COLUMNS TO BUILD CATALOG NUMBER

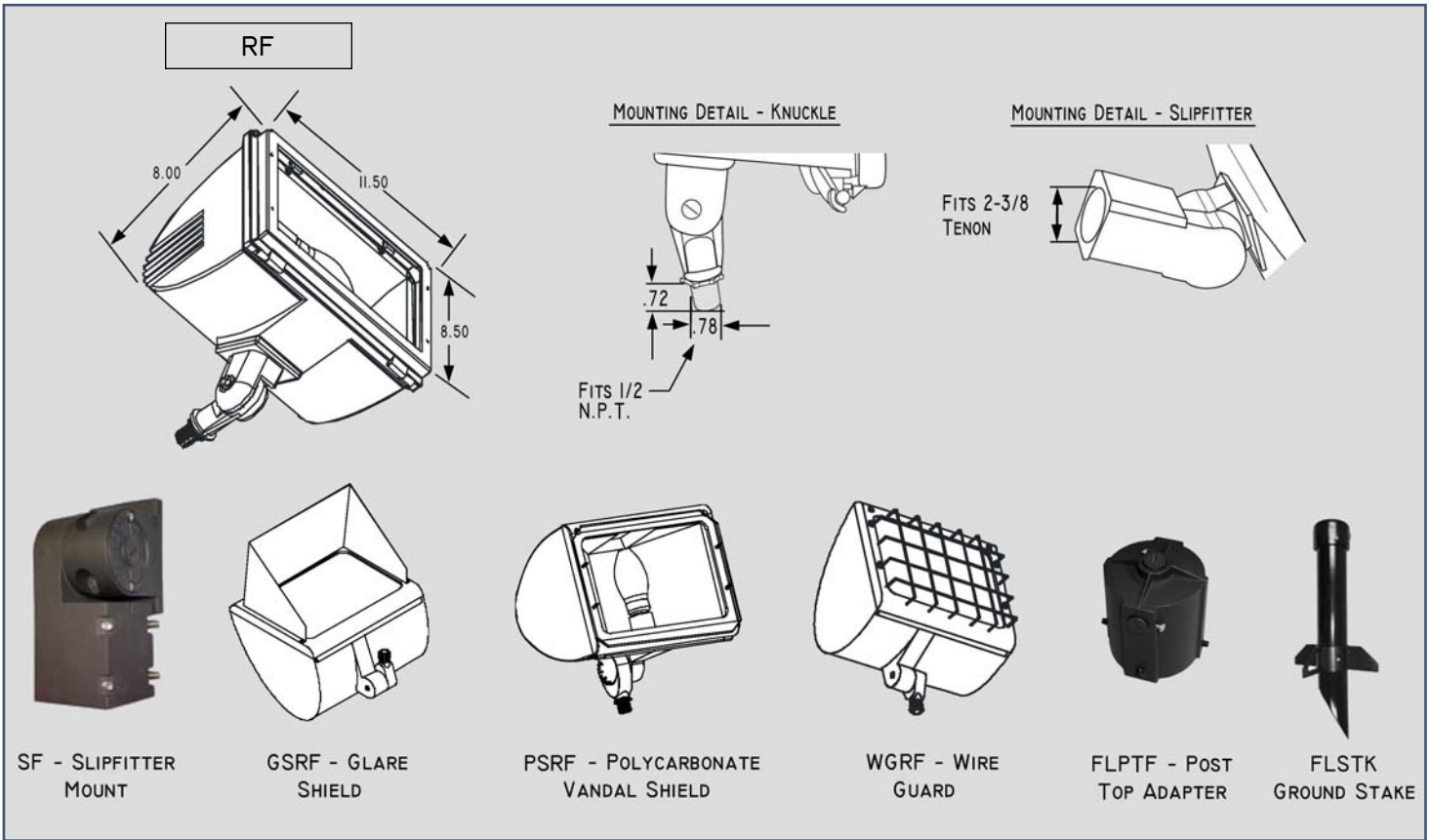
↓	↓	↓	↓	↓
RFSP	100PSMH	KM	GSRF - FLSTK	208

- NOTES: (1) 150W HPS UNITS ONLY AVAILABLE WITH 120V REACTOR BALLAST
 (2) FACTORY MAY USE MULTI TAP BALLAST WIRED TO SPECIFIED VOLTAGE.
 (3) CANADIAN VOLTAGE.
 (4) BRONZE FINISH IS STANDARD.



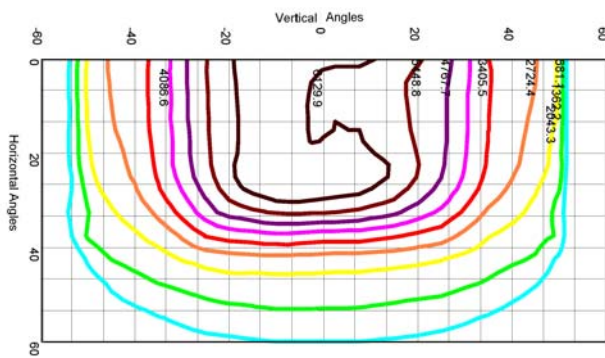
MADE IN USA ♦ © 2010 RH Lighting Solutions ♦ 3155 West 33rd Street, Cleveland, OH 44109
 www.rhlightingsolutions.com ♦ Phone: 877-905-4448 (877-90-LIGHT) ♦ Fax: 877-428-3080

RF SERIES - DIMENSIONS, ACCESSORIES AND TECHNICAL DATA



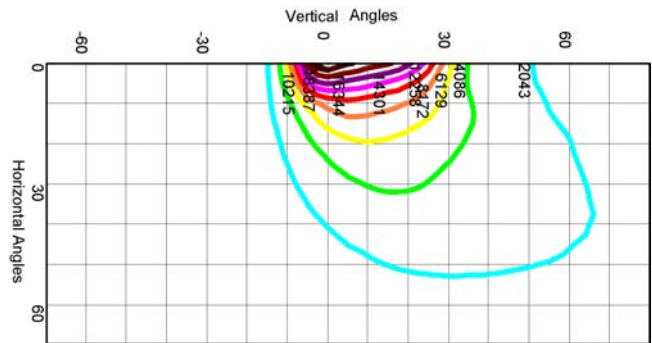
PHOTOMETRIC DATA - ISOCANDELA CURVES

RF-WT-150HS - 16000 LUMEN EI7 CLEAR LAMP



IES NEMA TYPE	5 H x 4 V
MAXIMUM CANDELA	20430.93
MAXIMUM CANDELA ANGLE	0 H 0 V
HORIZONTAL BEAM ANGLE (50%)	18.8
VERTICAL BEAM ANGLE (50%)	34.4
HORIZONTAL FIELD ANGLE (10%)	84.3
VERTICAL FIELD ANGLE (10%)	65.7
TOTAL RATED LAMP LUMENS	16000
BEAM LUMENS	2162.24
BEAM EFFICIENCY	13.51%
FIELD LUMENS	8772.18
FIELD EFFICIENCY	54.83%
TOTAL LUMENS	11530.23
TOTAL EFFICIENCY	72.06%

RF-SP-150HS - 16000 LUMEN EI7 CLEAR LAMP



IES NEMA TYPE	6 H x 6 V
MAXIMUM CANDELA	6811
MAXIMUM CANDELA ANGLE	17.5 H -10 V
HORIZONTAL BEAM ANGLE (50%)	80.2
VERTICAL BEAM ANGLE (50%)	71.5
HORIZONTAL FIELD ANGLE (10%)	120.7
VERTICAL FIELD ANGLE (10%)	105.6
TOTAL RATED LAMP LUMENS	16000
BEAM LUMENS	8277.05
BEAM EFFICIENCY	51.73%
FIELD LUMENS	11371.94
FIELD EFFICIENCY	71.07%
TOTAL LUMENS	11545.13
TOTAL EFFICIENCY	72.16%