



**RH LIGHTING SOLUTIONS**  
 3155 WEST 33RD STREET  
 CLEVELAND, OH 44109  
 PHONE: 877-905-4448  
 FAX: 877-428-3080  
 WWW.RHLIGHTINGSOLUTIONS.COM

# CFS SMALL COMPACT FLOODS

**26 - 150 WATTS**  
 PSMH | HPS | CFL



JOB NAME: \_\_\_\_\_

TYPE: \_\_\_\_\_ QUANTITY: \_\_\_\_\_

CATALOG No: \_\_\_\_\_

NOTES: \_\_\_\_\_



**APPLICATION:** THE CFMI AND CFS SERIES EXTRA COMPACT FLOODLIGHTS ARE DESIGNED SPECIFICALLY FOR THE SMALL SIZE OF PULSE START METAL HALIDE, HIGH PRESSURE SODIUM OR COMPACT FLUORESCENT LAMPS.

**LAMPS:** CFMI ACCOMODATES 35W TO 150W HPS AND UP TO 42W TRIPLE TUBE CFL LAMPS. CFS WITH ITS SLIGHTLY DEEPER HOUSING WILL ACCOMODATE PULSE START MH UP TO 100W OR HPS UP TO 150W. SOME VOLTAGE RESTRICTIONS APPLY. SEE ORDER CHART BELOW.

**BALLAST:** NPF REACTOR OR HIGH POWER FACTOR HX TYPE CORE AND COIL WITH A MINIMUM STARTING TEMPERATURE OF -20°F. HIGH POWER FACTOR, HIGH FREQUENCY ELECTRONIC BALLAST IS FEATURED WITH CFL UNITS,

**SOCKET:** HID UNITS FEATURE A MEDIUM E26 BASE HEAVY-DUTY GLAZED PORCELAIN LAMPHOLDER, PRE-WIRED, WITH AN ENCLOSED SCREW SHELL AND SPRING-LOADED CENTER CONTACT, 4KV PULSE RATED. CFL UNITS INCLUDE A THERMOPLASTIC SNAP-IN GX24Q TYPE LAMPHOLDER.

**HOUSING:** HIGH-STRENGTH, DIE-CAST ALUMINUM BODY WITH DIE-CAST HINGED FACE FRAME AND MOUNTING KNUCKLE.

**FINISH:** THE HOUSING IS FINISHED ARCHITECTURAL DARK BRONZE IN A SUPERIOR, BAKED-ON, CORROSION RESISTANT POWDER COATING, ALLOWING THE FIXTURE TO WITHSTAND EXTREME WEATHER CHANGES WITHOUT CRACKING OR PEELING.

**LENS:** CLEAR, FLAT HEAT-RESISTANT GLASS SEALED INTO A HINGED DIE-CAST ALUMINUM DOOR FRAME.

**REFLECTOR:** ONE PIECE BRIGHTENED, ANODIZED ALUMINUM PROVIDING A WIDE NEMA 7 X 7 LIGHT PATTERN.

**MOUNTING:** UNITS ARE PROVIDED WITH AN ADJUSTABLE 1/2-14 NPT THREADED ADJUSTABLE KNUCKLE. OPTIONAL POST TOP ADAPTER AND GROUND STAKE ARE AVAILABLE.

**LISTING:** CSA-US AND ETL LISTED FOR WET LOCATIONS AND GROUND MOUNTING.

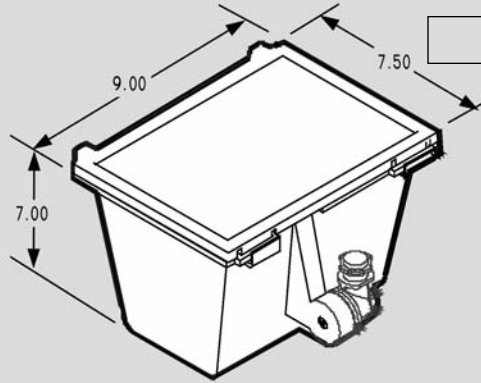


FIXTURE NUMBER	WATTAGE	OPTIONS / ACCESSORIES (3)	VOLTAGE
CFMI	50HS	50W HIGH PRESSURE SODIUM	120 120 VOLT (1) UNV 120-277 UNIVERSAL VOLTAGE (CFL ONLY)
	70HS	70W HIGH PRESSURE SODIUM	
	100HS	100W HIGH PRESSURE SODIUM	
	150HS	150W HIGH PRESSURE SODIUM	
	26CF	42W COMPACT FLUORESCENT	
	32CF	42W COMPACT FLUORESCENT	
CFS	42CF	42W COMPACT FLUORESCENT	120 120 VOLT (1) 208 208 VOLT (1) 240 240 VOLT (1) 277 277 VOLT (1) 347 347 VOLT (1,2) MT 120/208/240/277 VOLT MUTLI-TAP
	50HS	50W HIGH PRESSURE SODIUM	
	70HS	70W HIGH PRESSURE SODIUM	
	100HS	100W HIGH PRESSURE SODIUM	
	150HS	150W HIGH PRESSURE SODIUM	
	50PSMH	50W PULSE START METAL HALIDE	
	70PSMH	70W PULSE START METAL HALIDE	
	100PSMH	100W PULSE START METAL HALIDE	
<b>ORDER EXAMPLE - SELECT ITEMS FROM ABOVE COLUMNS TO BUILD CATALOG NUMBER</b>			
↓	↓	↓	↓
<b>CFS</b>	<b>100PSMH</b>	<b>GSCFS - FLPTF</b>	<b>MT</b>

NOTES: (1) FACTORY MAY USE MULTI TAP BALLAST WIRED TO SPECIFIED VOLTAGE.  
 (2) CANADIAN VOLTAGE.  
 (3) BRONZE FINISH IS STANDARD.

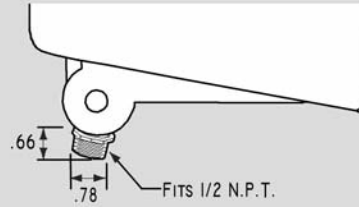


# CFMI AND CFS - DIMENSIONS, ACCESSORIES AND TECHNICAL DATA

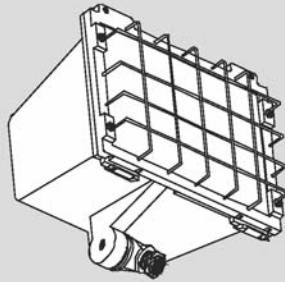


CFS

MOUNTING DETAIL



GSCFS - GLARE SHILED



WGCFS - WIRE GUARD  
(SHOWN MOUNTED)



PSCFS - POLYCARBONATE  
VANDAL SHIELD  
(SHOWN MOUNTED)



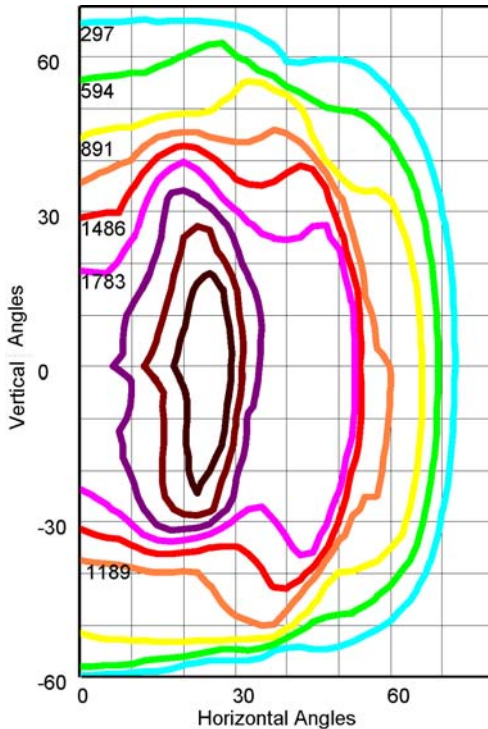
FLPTF  
POST TOP ADAPTER



FLSTK  
GROUND STAKE

## PHOTOMETRIC DATA

### CFS-100PSMH - 8500 LUMEN E17 CLEAR LAMP



#### FLOODLIGHT CHARACTERISTICS

IES NEMA TYPE	7 H x 6 V
MAXIMUM CANDELA	2972.94
MAXIMUM CANDELA ANGLE	-25H 0V
HORIZONTAL BEAM ANGLE	(50%) 110.5
VERTICAL BEAM ANGLE	(50%) 76.0
HORIZONTAL FIELD ANGLE (10%)	143.9
VERTICAL FIELD ANGLE (10%)	123.6
TOTAL RATED LAMP LUMENS	8500
BEAM LUMENS	4267.44
BEAM EFFICIENCY	50.21%
FIELD LUMENS	5936.71
FIELD EFFICIENCY	69.84%
TOTAL LUMENS	6024.34
TOTAL EFFICIENCY	70.87%